
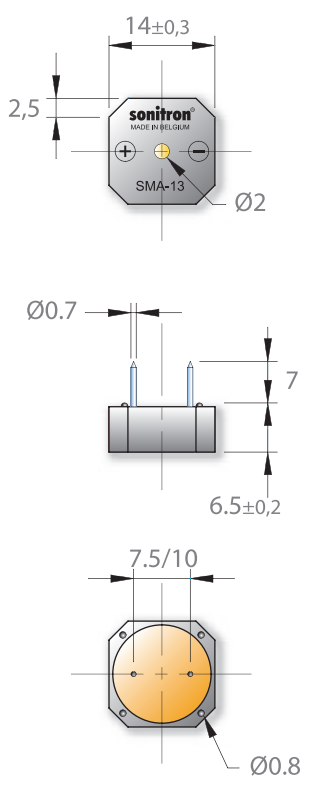
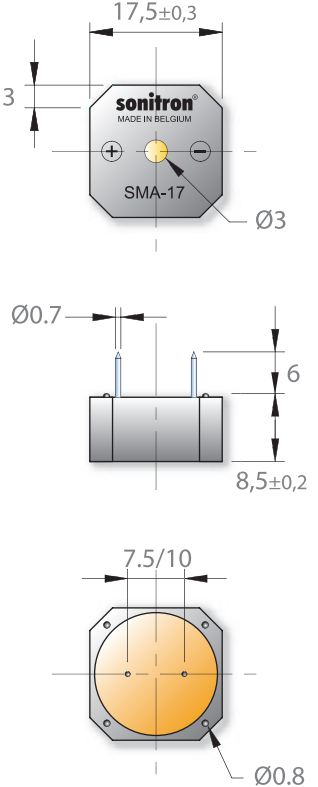
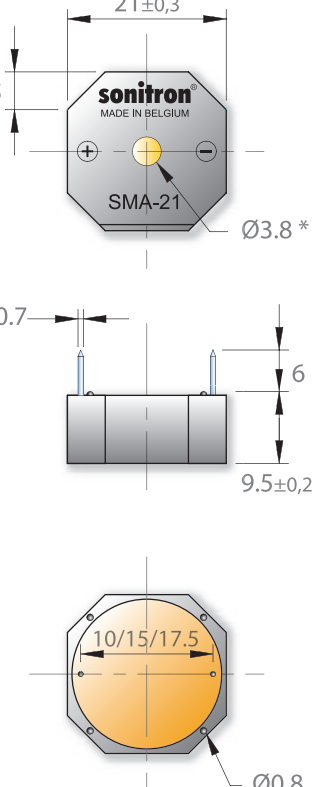

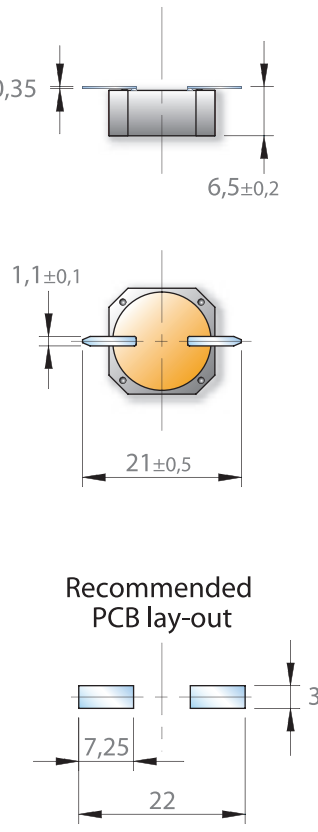
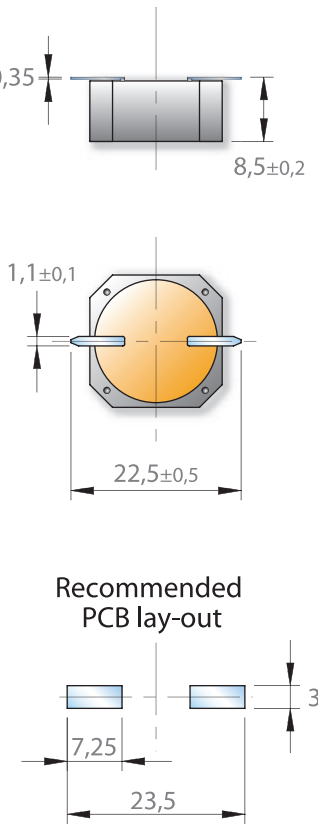
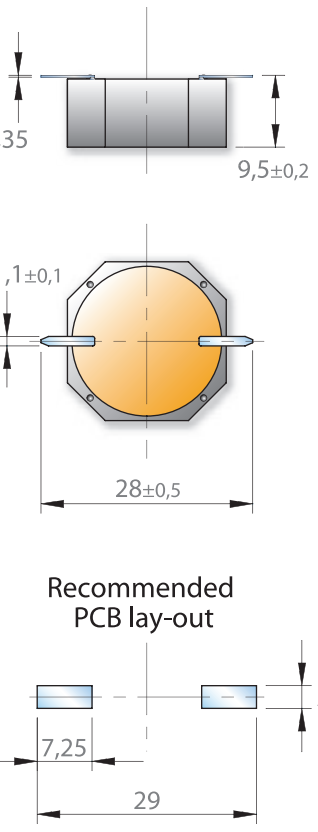


**DIMENSIONS** (All dimensions are in mm)

Pin version	SMA-13	SMA-17	SMA-21
			
	 <p style="text-align: center;">Recommended PCB lay-out</p>	 <p style="text-align: center;">Recommended PCB lay-out</p>	 <p style="text-align: center;">Recommended PCB lay-out</p>

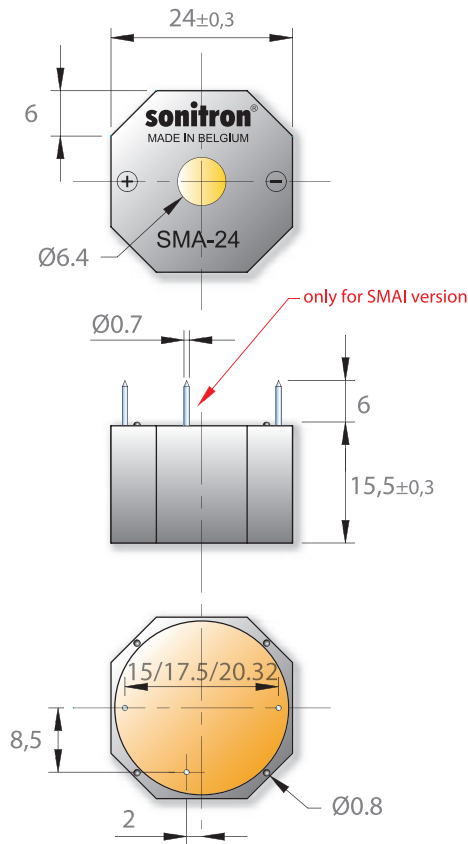
\* The sound hole of SMA-21 LV has a diameter of 3 mm, whereas the other SMA-21 types have a 3,8 mm sound hole.

(All dimensions are in mm)

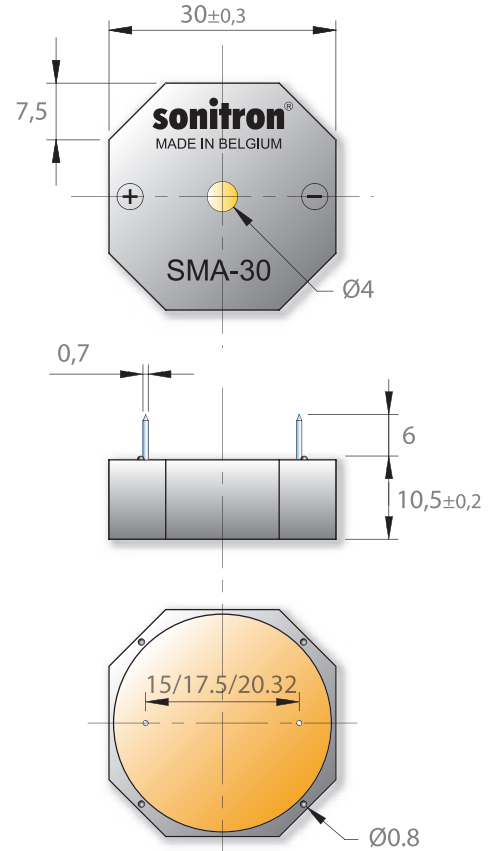
**Pin version**



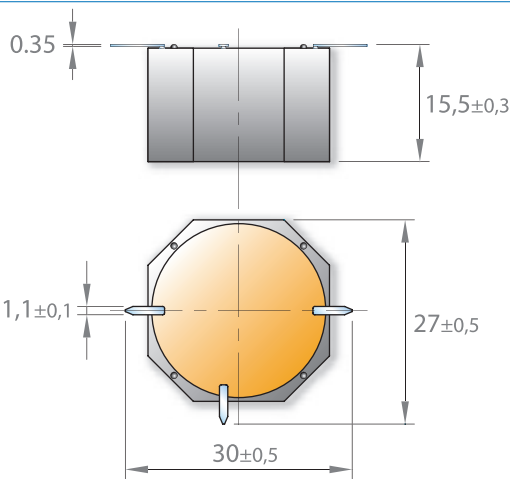
**SMA-24**



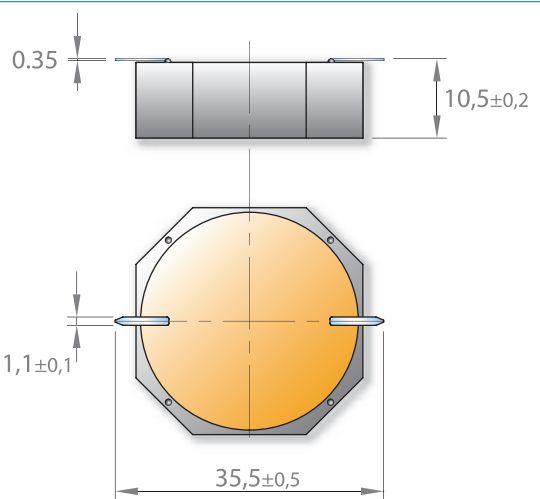
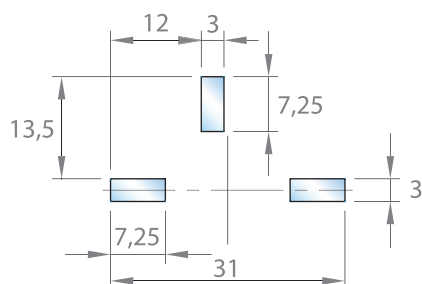
**SMA-30**



**SMD version**



Recommended PCB lay-out



Recommended PCB lay-out

