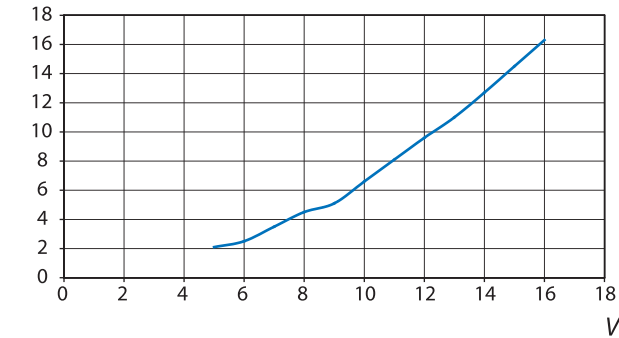
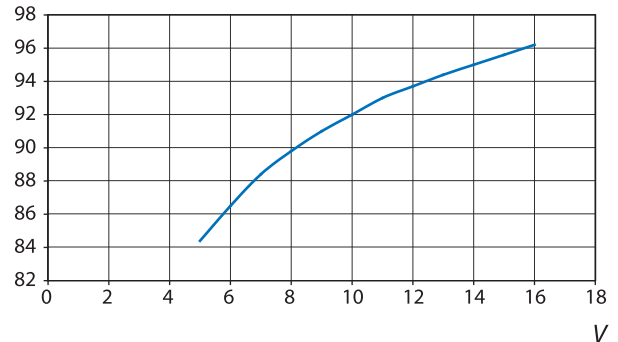


ELECTRICAL PARAMETERS

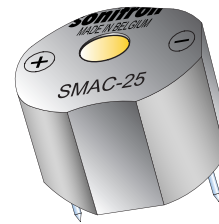
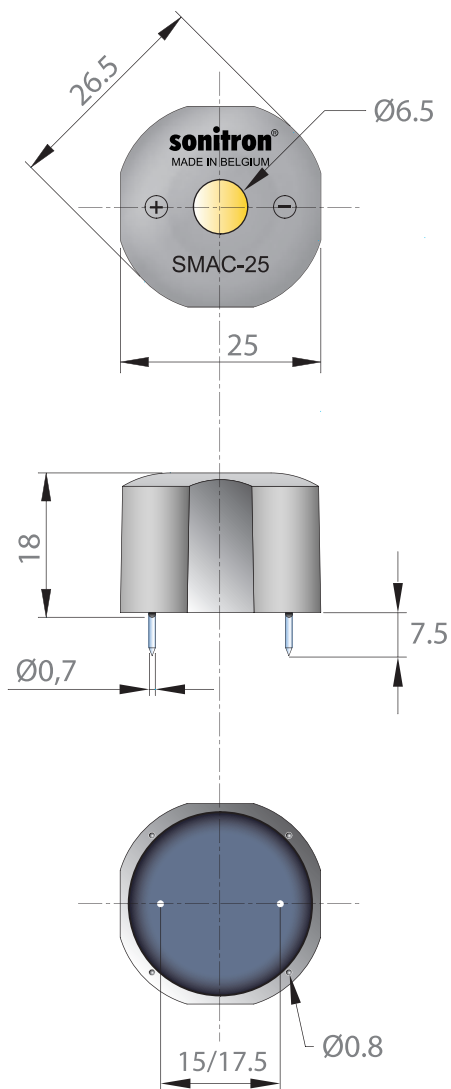
mA Current consumption vs. operating voltage



dB (A) Sound pressure level vs. operating voltage



DIMENSIONS (All dimensions are in mm)



Pin material: tinned brass
Case material: grey PBT

Tolerance: +/-0.2 mm