
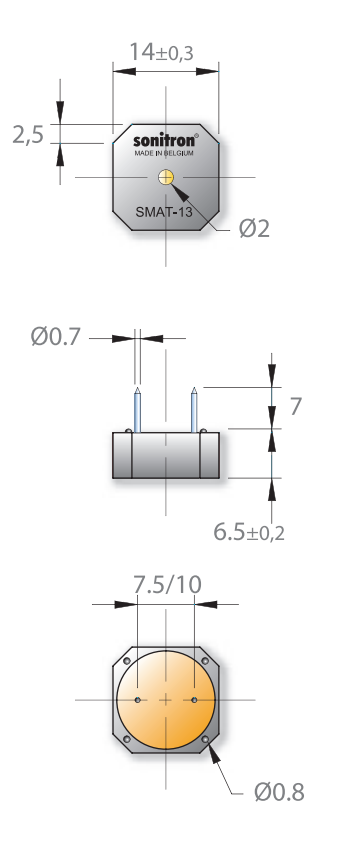
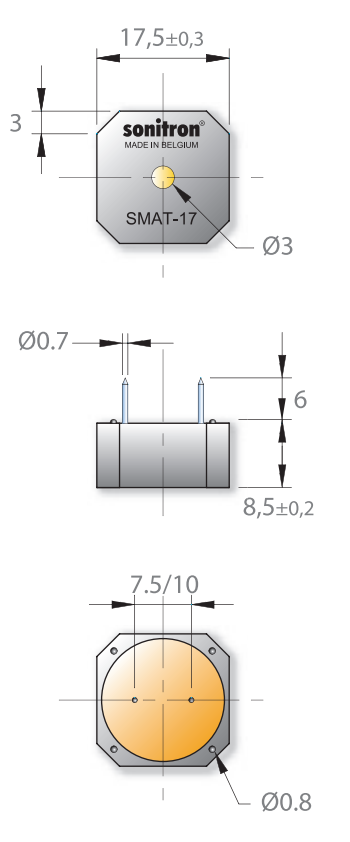
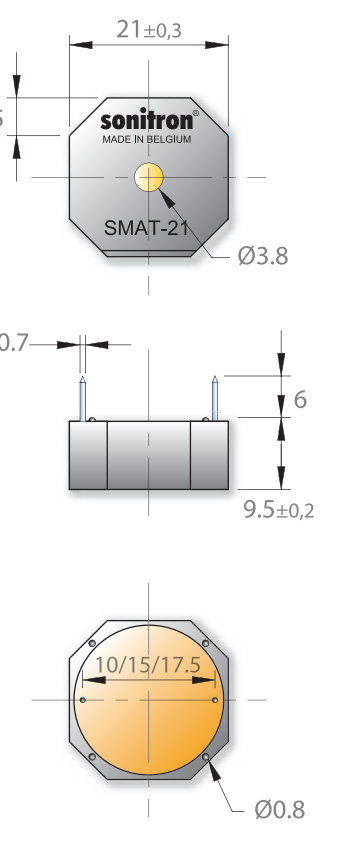
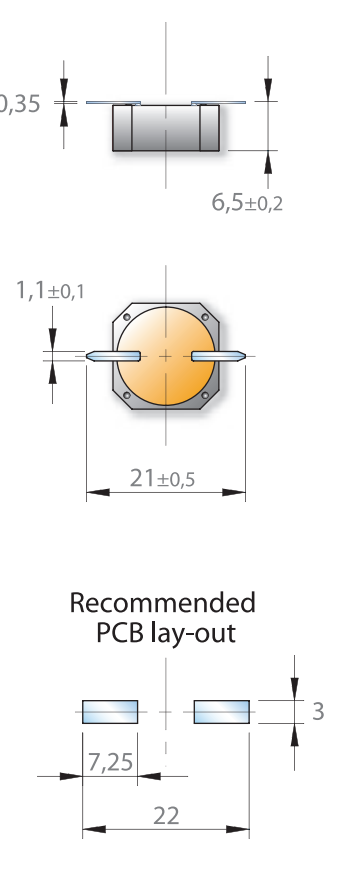
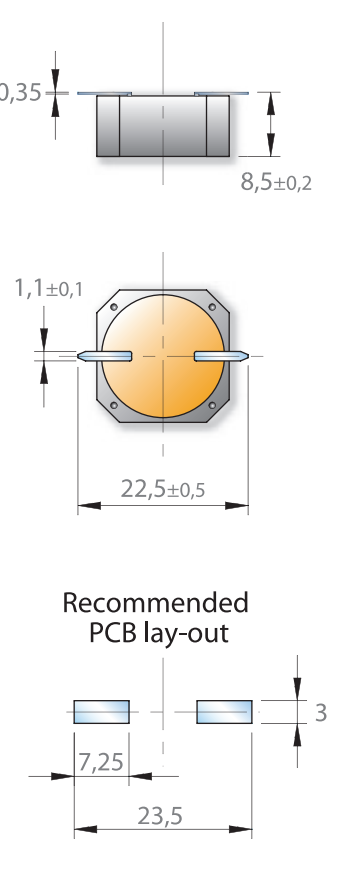
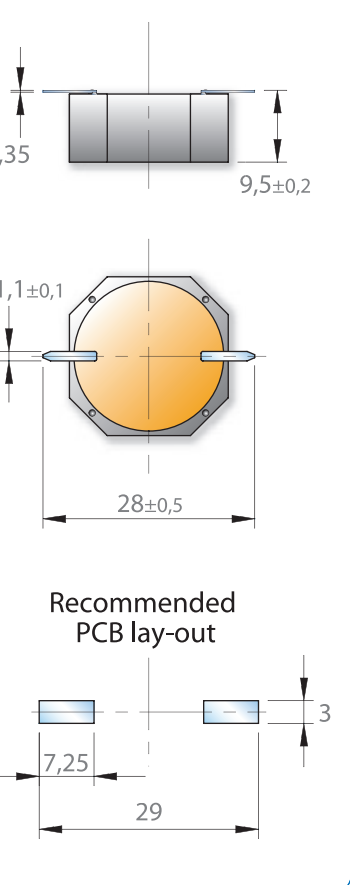


DIMENSIONS (All dimensions are in mm)

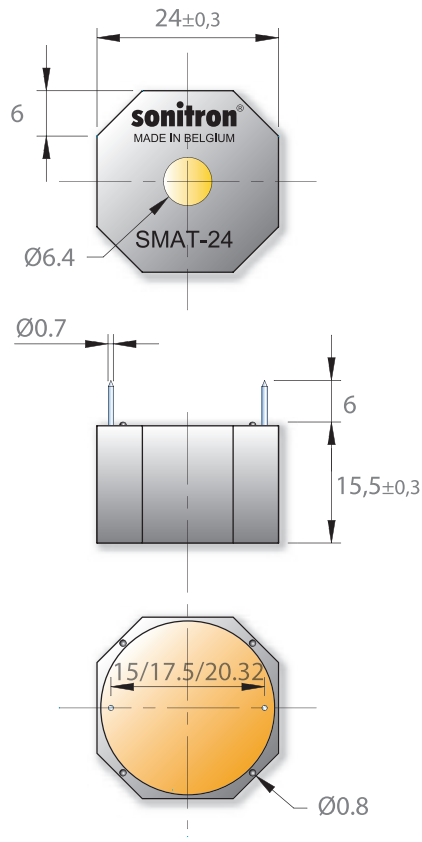
Pin version	SMAT-13	SMAT-17	SMAT-21
			
SMD version	 <p style="text-align: center;">Recommended PCB lay-out</p>	 <p style="text-align: center;">Recommended PCB lay-out</p>	 <p style="text-align: center;">Recommended PCB lay-out</p>

(All dimensions are in mm)

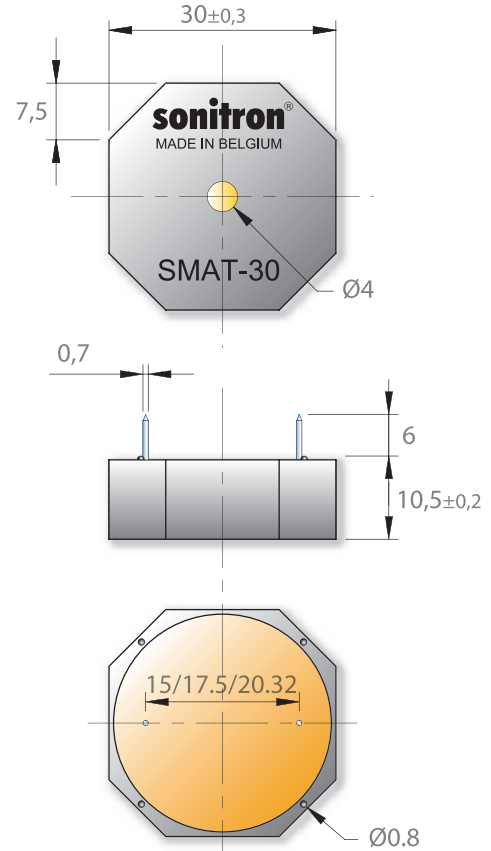
Pin version



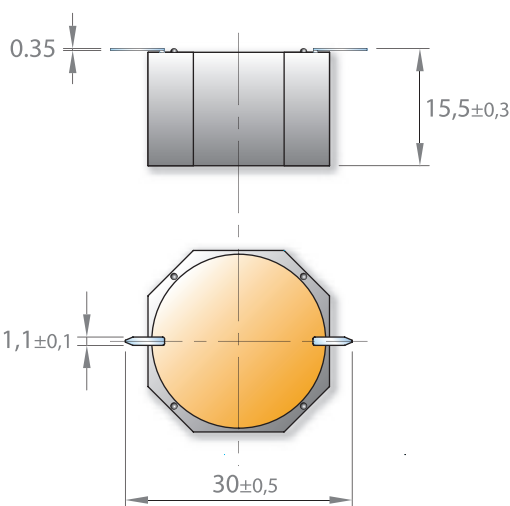
SMAT-24



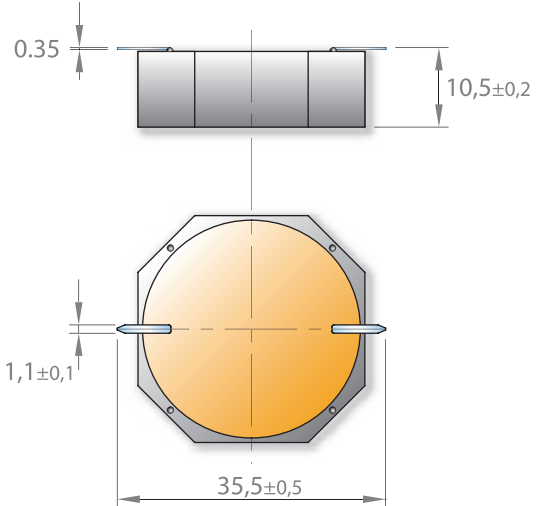
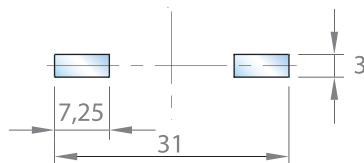
SMAT-30



SMD version



Recommended PCB lay-out



Recommended PCB lay-out

