

O-ring Specifications for Standard series

Sonitron part description

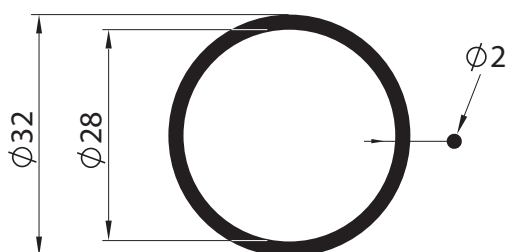
Gasket Rubber sealing ring for waterproof assembly.
(O-ring) (standard delivered with SP7)

↑
 — **To order an option add the suffix to the model number of the standard series.**

Mechanical part description


O-ring NBR 36624 28x2

Dimensions

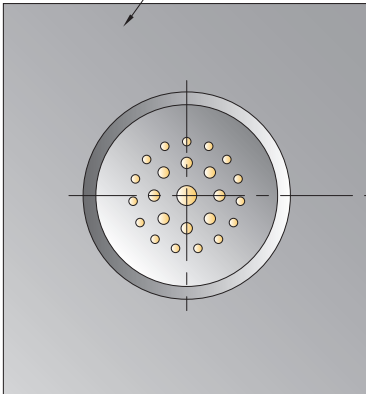


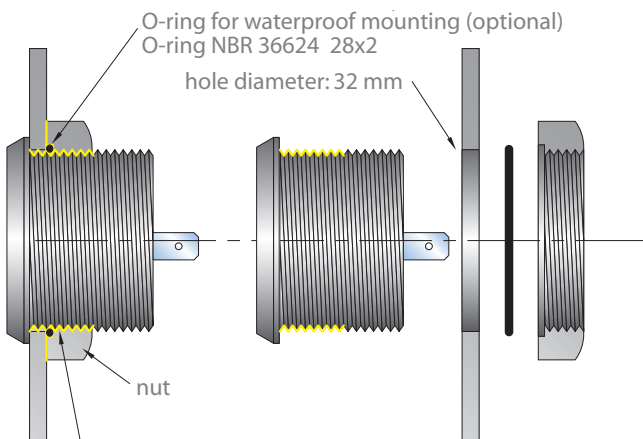
Mounting guidelines

Round flange model
"sealing provision method on a panel"



panel mounting





~~~~~ **Loctite 5331 gasket sealant is recommended for waterproof sealant. (IP67)**